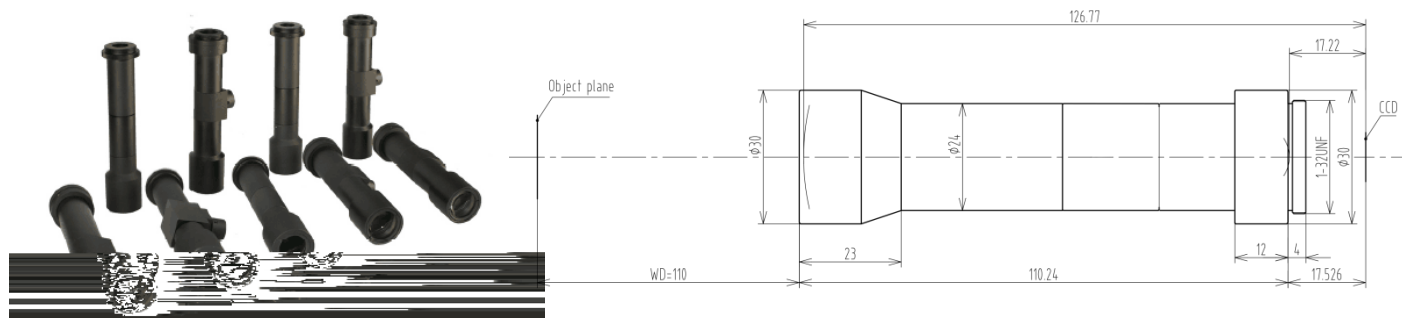


标准定倍远心镜头

HM40X110T



Model	HM40X110T	
CCD Max Image Size	2/3-inch	
Magnification	4 X	
WD (mm)	110	
F/# Working F/#	22	
Object NA(mm)	0.09	
Depth of field(mm)	0.13	
Distortion	<0.05%	
Resolution		
FOV WxH (mm)	2/3"(8.8x6.6)	2.2x1.7
	1/1.8"(7.13x5.37)	1.8x1.3
	1/2"(6.4x4.8)	1.6x1.2
(° max)	<0.1°	
Mount	C-Mount	
TTL	126.77mm	

