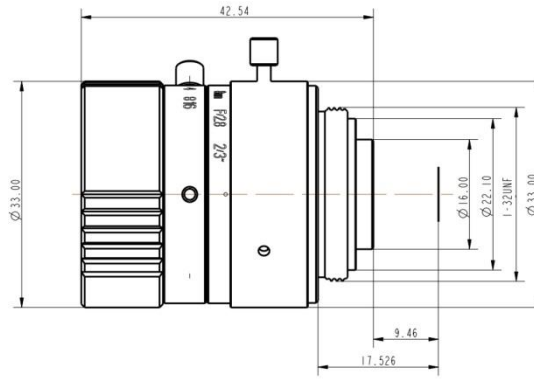


3.



800	8mm FA	C Mount	Working Distance	Magnification	2/3" Field of View(8.45*7.07mm)	
Model	<b>LM0828MP8</b>		mm	X	H	V
Image Size	11mm(2/3 )			-	-	-
Focal length	8mm		1000	0.0079X	1076.05	901.889
F No.	F2.8-16		900	0.0870X	970.56	813.432
M.O.D(m)	0.1-Inf.		800	0.0098X	865.071	727.974
Operation	Iris	Manual	700	0.0112X	759.582	636.516
	Focus	Manual	650	0.0120X	706.838	592.287
(D*H*V) Angle of View	2/3"	68.45°x54.96°x47.05°	600	0.0130X	654.094	548.058
Distortion	<0.28%		550	0.0141X	601.350	503.830
BFL	10.39mm		500	0.0155X	548.606	459.601
Flange BFL	17.526mm		450	0.0171X	495.862	415.373
Mount	C-Mount		400	0.0192X	443.118	371.144
CRA	12.2		350	0.0218X	390.375	326.916
Dimension	4.57mm		300	0.0252X	337.631	282.688
Weight	64.5g		250	0.0299X	284.889	238.461
Resolution	8MP		200	0.0367X	232.148	194.235
Filter Thread	M30.5x 0.5		150	0.0476X	179.408	150.010
Working Temperature	-20°C	+60°C	100	0.0677X	126.673	105.790

