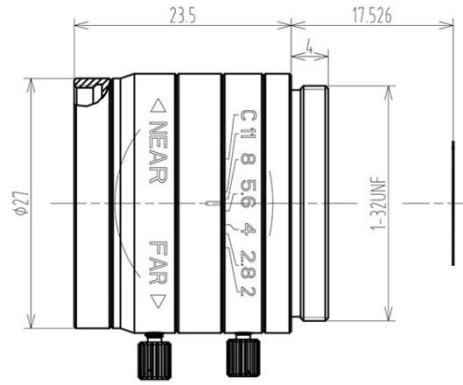


5

 ZLKC
 1/1.8 C f=25mm F2.0


500		25mm		C Mount		Working Distance	Optical Magnification	1/1.8" Field of View(mm)	
Model		VM2520MP5		mm	-	H	V		
Image Size		1/1.8-inch		900	0.028X	254.4	190.8		
Focal length		25mm		850	0.030X	240.1	180.1		
F No.		F2.0-C		800	0.032X	225.7	169.3		
M.O.D(m)		0.1-Inf.		750	0.034X	211.4	158.5		
Operation	Iris	Manual		700	0.036X	197	147.8		
	Focus	Manual		650	0.039X	182.6	137		
Horizontal Angle of View (D×H×V)	1/1.8"	19.0°×13.6°×11.3°		600	0.043X	168.3	126.2		
	1/2.5"	16.2°×13.4°×10.3°		550	0.047X	153.9	115.4		
	1/3"	13.8°×11.4°×8.8°		500	0.051X	139.6	104.7		
Distortion		<0.1%		450	0.057X	125.2	93.9		
BFL		13.7mm		400	0.065X	110.8	83.1		
Mount		C-Mount		350	0.074X	96.5	72.3		
Object Dimension		82.1mm×61.6mm(WD=300mm)		300	0.088X	82.1	61.6		
Dimension				250	0.106X	67.7	50.8		
Weight		31.0g		200	0.135X	53.3	40		
Filter Thread		M25.5x 0.5		150	0.186X	38.9	29.2		
Working Temperature		-20°C +60°C		100	0.296X	24.4	18.3		