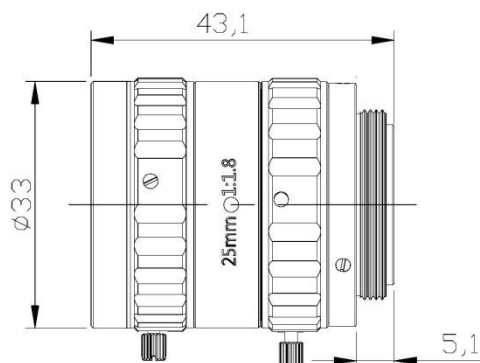


1200

1

HK2518MP12

ZLKC
 1 C f=25mm F1.8
 420-1000nm
 1200 **180lp/mm**
 0.15%



Model	HK2518MP12	
Image Size	1-inch	
Focal length	25mm	
F No.	F1.8-close	
M.O.D(m)	0.15-Inf.	
Operation	Iris	Manual
	Focus	Manual
Horizontal Angle of View	1" Type	36.2°x29.1°x21.9°
	1/2"Type	18.5°x14.7°x11.1°
	1/3"Type	13.8°x11.1°x8.3°
Distortion	-0.15%	
Back focal length	12.68mm	
Mount	C-Mount	
1"FOV	73.3mmx54.6mm(WD=150mm)	
Dimension	33x38mm	
Weight	89.3g	
Horizontal Resolution	180lp/mm	
Filter Thread	M30.5x 0.5mm	
Working Temperature	-20°C +60°C	