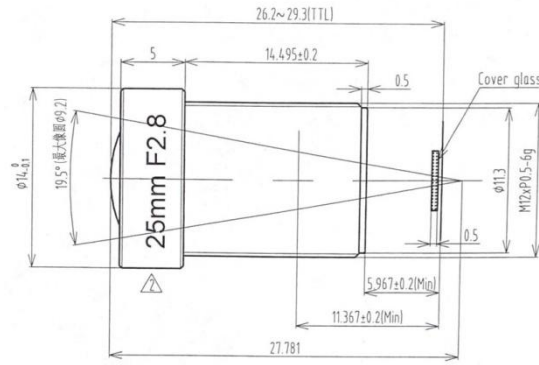


ZLKC
 1/1.8 M12 f=25mm

5



500	25mm	M12 Mount	Working Distance	Optical Magnification	1/1.8"Field of View(mm)	
Model	MTV25MP5C		mm	-	H	V
Image Size	1/1.8-inch		950	0.027X	267.8	200.9
Focal length	25mm		900	0.028X	253.4	190.1
F No.	F2.8		850	0.030X	239.0	179.3
M.O.D(m)	0.2-Inf.		800	0.032X	224.6	168.4
Operation	Iris	Fix	750	0.034X	210.2	157.6
	Focus	Manual	700	0.037X	195.8	146.8
Angle of View (D×H×V)	1/1.8"	19.6°×15.8°×11.6°	650	0.040X	181.3	136.0
	1/3"	13.2°×10.6°×7.9°	600	0.043X	166.9	125.2
Distortion	<0.05%		550	0.047X	152.5	114.4
BFL	11.36mm		500	0.052X	138.1	103.6
Mount	M12XP0.5		450	0.058X	123.7	92.8
Object Dimension(mm)	80.4×60.3 (WD=300mm)		400	0.066X	109.6	81.9
Resolution	5MP		350	0.076X	94.8	71.1
Dimension	14×14.5mm		300	0.090X	80.4	60.3
Weight	7.3g		250	0.109X	66.0	49.5
Working Temperature	-20°C	+60°C	200	0.140X	51.6	38.7