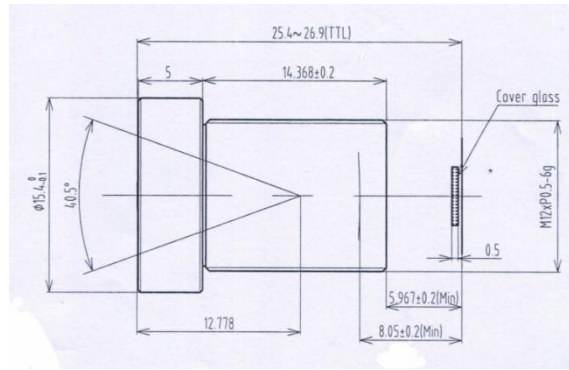


FEATURES

- ◆ Lens Brand: ZLKC
- ◆ 1/1.8 M12-Mount 12mm 5MP
- ◆ Shorter Working Distance
- ◆ High resolution, low distortion
- ◆ Compact & Lightweight


SPECIFICATION

5MP 12mm low distortion lens M12 Mount		Working Distance	Optical Magnification	1/1.8" Field of View(mm)	
Model	MTV12MP5C	mm	-	H	V
Image Size	1/1.8-inch	850	0.014X	510	382.5
Focal length	12mm	800	0.015X	480	360
F No.	F2.8	750	0.016X	450	337.5
M.O.D(m)	0.1-Inf.	700	0.017X	420	315
Operation	Iris	Fix	650	390.1	292.5
	Focus	Manual	600	360.1	270.1
Angle of View (D×H×V)	1/1.8"	40.7°×33°×24.8°	550	330.1	247.6
	1/3"	27.8°×22.4°×16.9°	500	300.1	225.1
Distortion	<0.1%	450	0.027X	270.2	202.6
BFL	8.05mm	400	0.030X	240.3	180.2
Mount	M12XP0.5	350	0.034X	210.3	157.7
Object Dimension(mm)	180.3×135.2 (WD=300mm)	300	0.040X	180.3	135.2
Resolution	5MP	250	0.048X	150.3	112.7
Dimension	15.4×14.37mm	200	0.060X	120.3	90.2
Weight	7g	150	0.080X	90.3	67.7
Working Temperature	-20°C ~ +60°C	100	0.120X	60.2	45.2