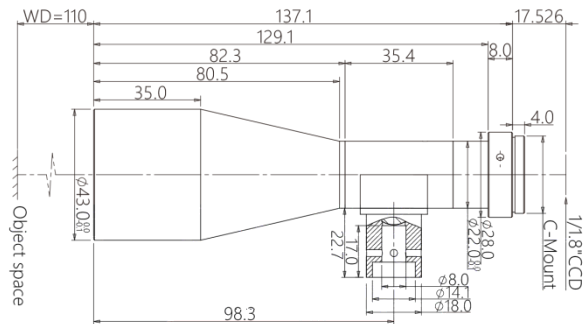
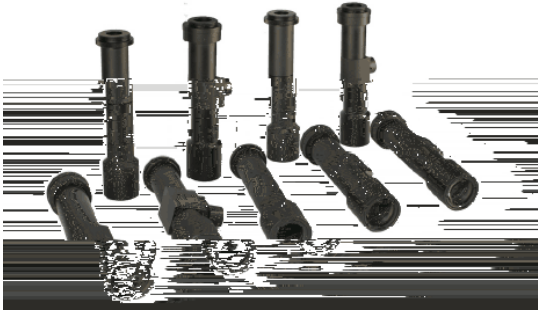


HM03X110CT



Model	HM03X110CT	
CCD Max Image Size	1/1.8-inch	
Magnification	0.3 X	
WD (mm)	110	
F/# Working F/#	9	
Object NA(mm)	0.0167	
Depth of field(mm)	8.0	
Distortion	<0.1%	
Resolution		
FOV WxH (mm)	1/1.8"(7.13x5.37)	23.8x17.9
	1/2"(6.4x4.8)	21.3x16.0
	1/3"(4.8x3.6)	16.0x12.0
(° max)	<0.1°	
Mount	C-Mount	
TTL	137.1mm	