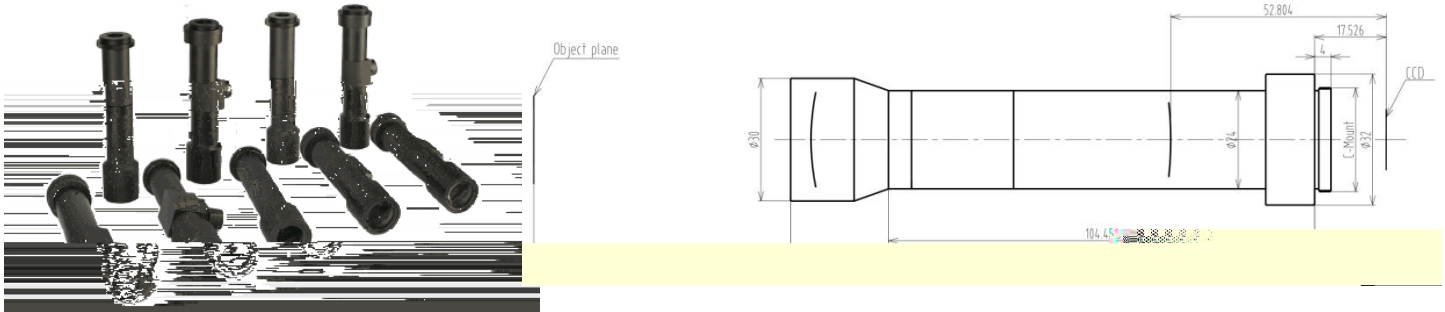


HM10X110T



ZLKC
2/3 C 1X

FOV

HM10X110T

HM

10X

110

C

T: Telecentric

1

110mm

Model	HM10X110T	
CCD Max Image Size	2/3-inch	
Magnification	1X	
WD (mm)	110	
F/# Working F/#	11	
Object NA(mm)	0.045	
Depth of field(mm)	0.9	
Distortion	<0.1%	
Resolution		
FOV WxH (mm)	2/3"(8.8x6.6)	8.6x6.6
	1/1.8"(7.13x5.37)	6.4x4.8
	1/2"(6.4x4.8)	4.8x3.6
(° max)	<0.1°	
Mount	C-Mount	
TTL	140.98mm	